

Assembly Instructions

CARE INSTRUCTIONS:




TO BE ASSEMBLED ON A CLEAN, DRY AND SMOOTH SURFACE. WIPE CLEAN WITH A SOFT DAMP CLOTH. NEVER USE SCOURERS, ABRASIVES OR CHEMICAL SOLVENTS. CHECK AND TIGHTEN ALL PARTS REGULARLY. KEEP AWAY FROM MOISTURE AND DIRECT SUNLIGHT. STORE IN A DRY PLACE. FOR INDOOR USE ONLY.

WARNING!

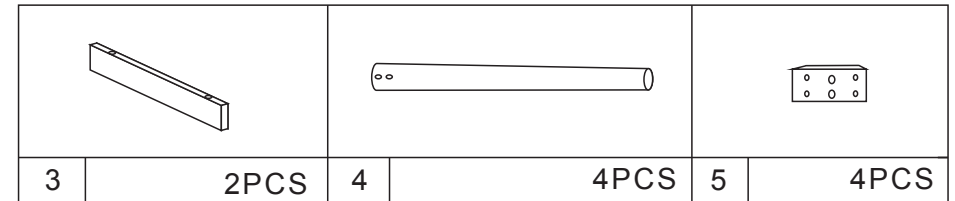
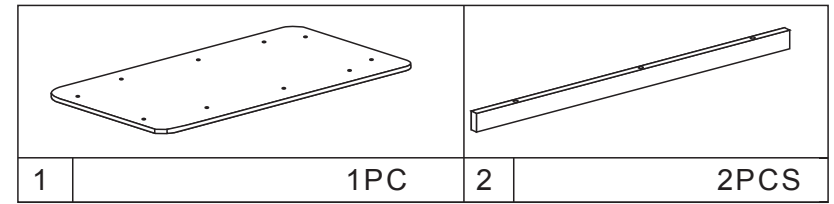
DO NOT STAND, SIT OR LEAN ON THIS UNIT. DO NOT USE THIS UNIT AS A STEP LADDER OR AS A CHOPPING SURFACE. ENSURE THIS UNIT IS USED ONLY ON A FLAT SURFACE. DO NOT USE THIS UNIT UNLESS ALL BOLTS AND SCREWS ARE FIRMLY SECURED. DO NOT PLACE HOT ITEMS SUCH AS COFFEE CUPS DIRECTLY ON THE SURFACE OF THIS FURNITURE ITEM. KEEP AWAY FROM CHILDREN AND BABIES. THIS PACKAGE CONTAINS SMALL PARTS AND SHARP POINTS. ADULT ASSEMBLY REQUIRED. A MILD ODOUR MAY BE PRESENT WHEN FIRST OPENING THIS CARTON. SIMPLY ALLOW TO AIR OUTSIDE AND THIS WILL FADE. **MAXIMUM SAFE LOAD: 15KGS.**

1

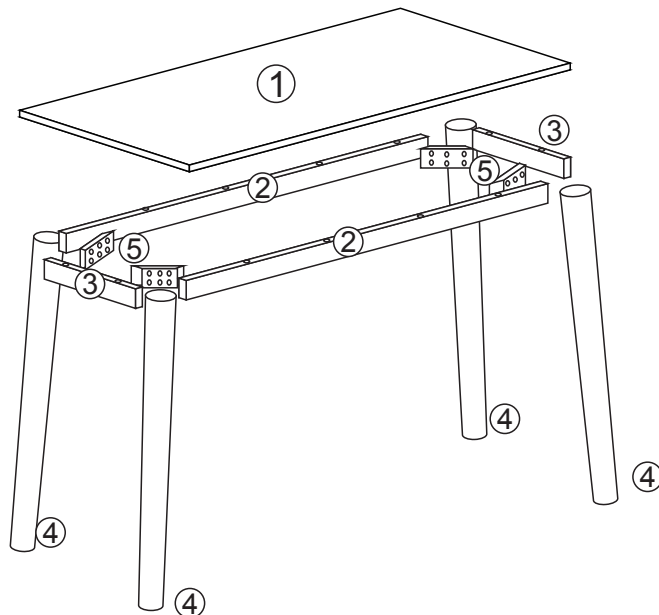
Hardware List

	A	∅ 4 x 40 mm	12PCS
	B	∅ 4 x 25 mm	16PCS
	C	M6x50 mm Dia 15 mm Dia 10 mm	8PCS

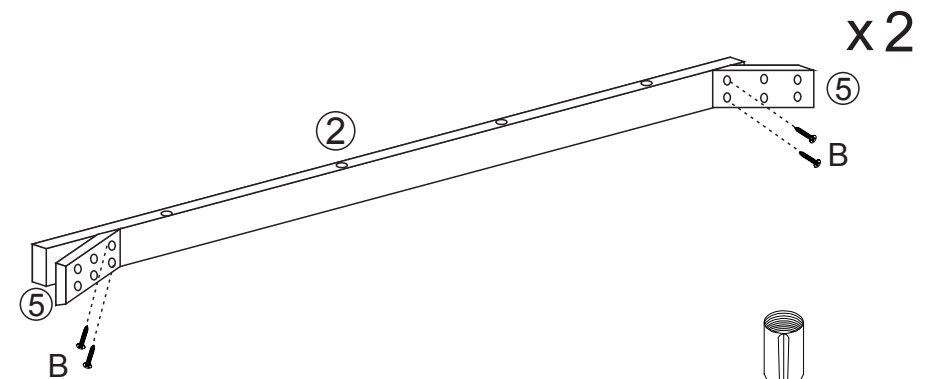
3

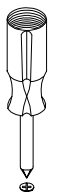


2

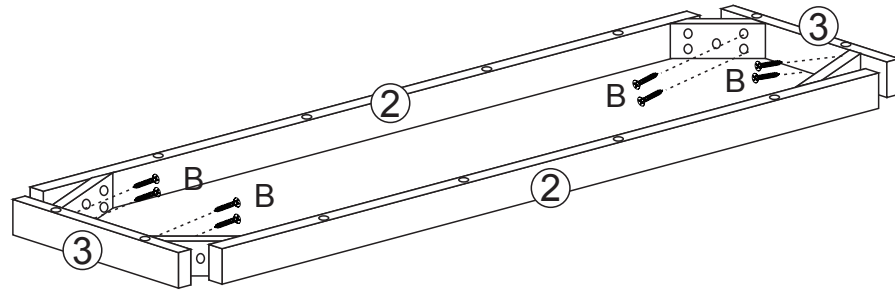


Step 1: Assemble the board ② and board ⑤ with screws B.

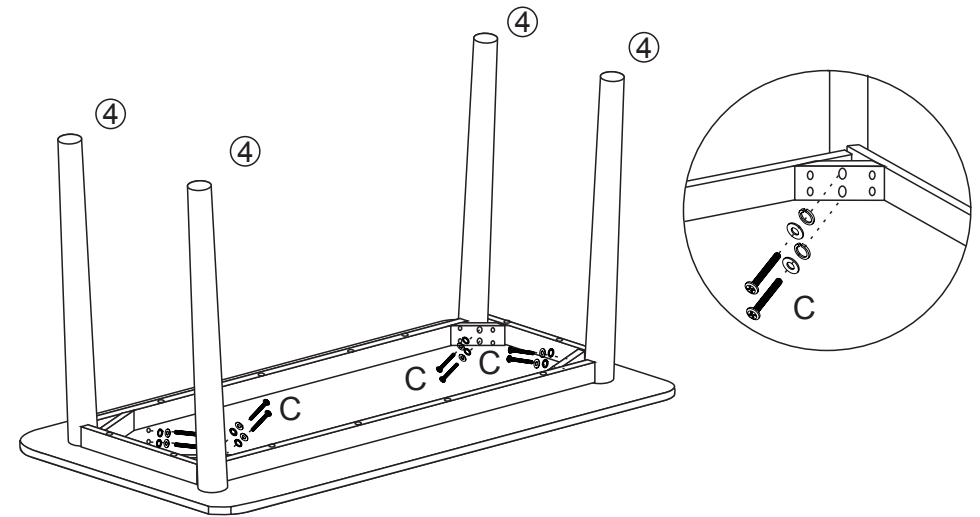



 Tool required
 Phillips Head Screw Driver
 (Not Provided)

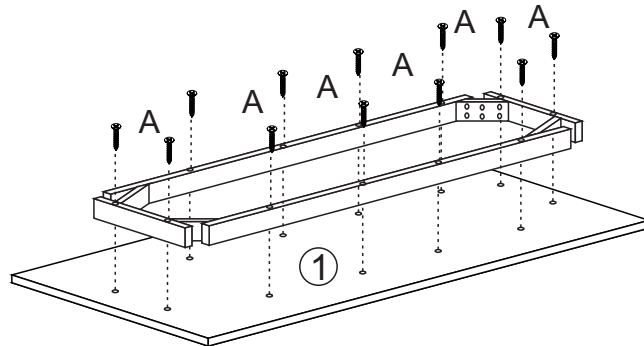
Step 2: Attach board ③ to the pieces from step 1 with screw B. Do not tighten all the screws until assembly is complete.



Step 4: Assemble the legs (part 4) with screw C.



Step 3: Attach the piece from step 2 onto board ① with screw A. Do not tighten all the screws until assembly is complete.



Step 5: Turn the table upright and the assembly is completed.

